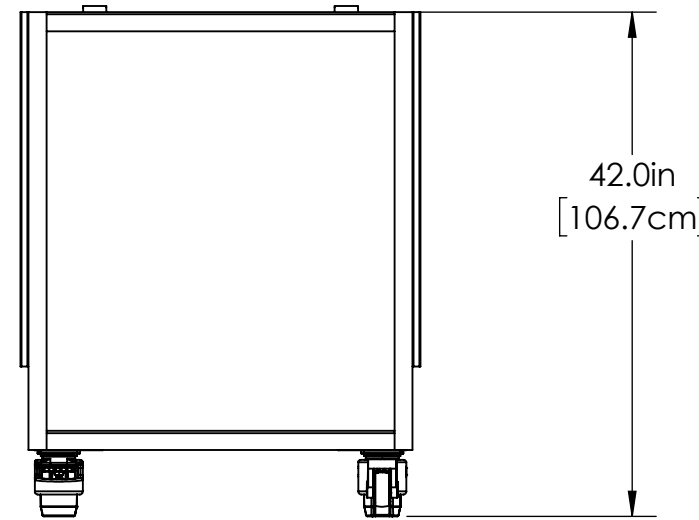
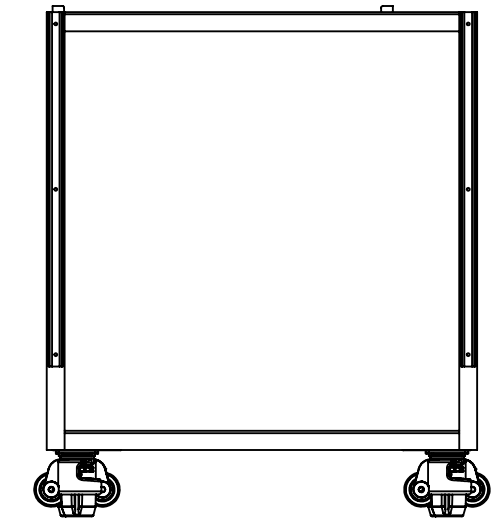


Top view

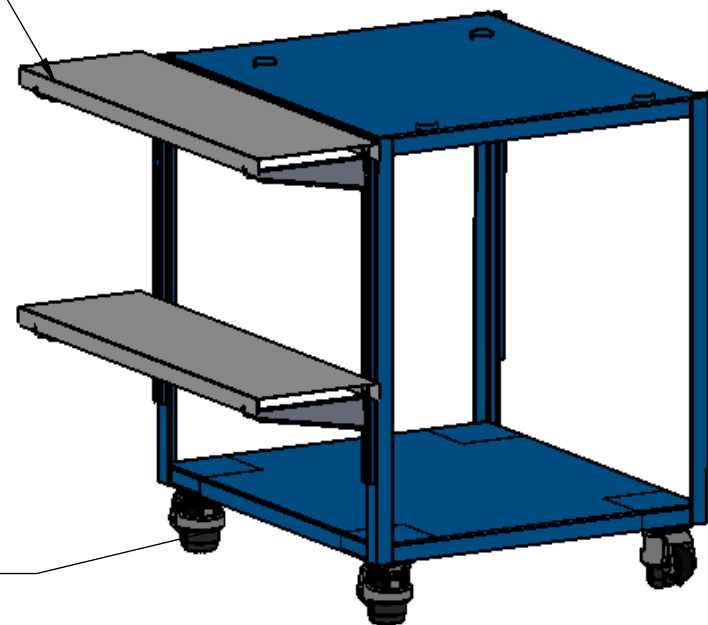


Front view



Side view

SHELVES CAN BE INSTALLED ON RIGHT OR LEFT SIDE AND ARE FULLY ADJUSTABLE.



SWIVEL CASTERS

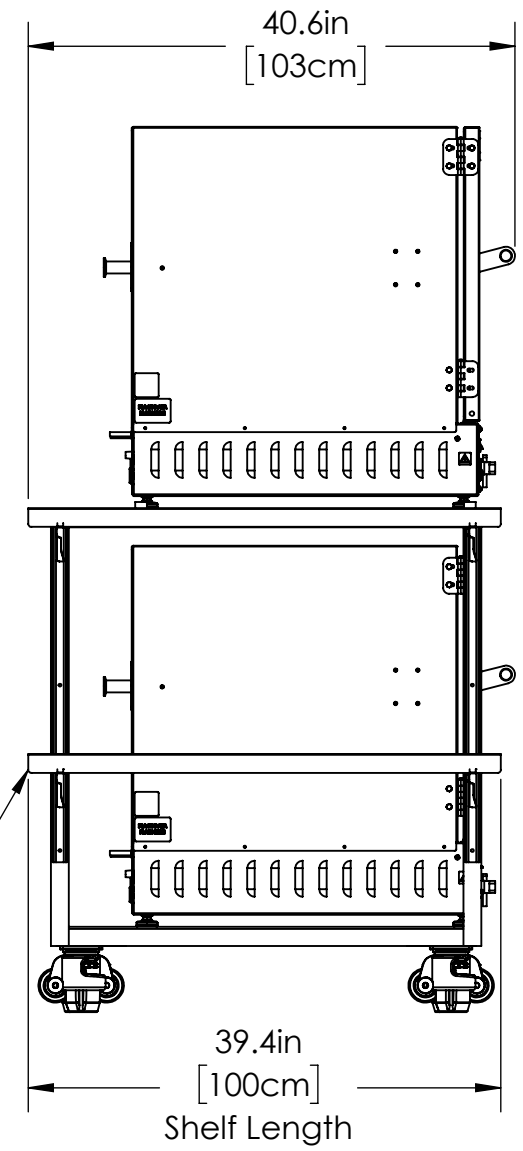
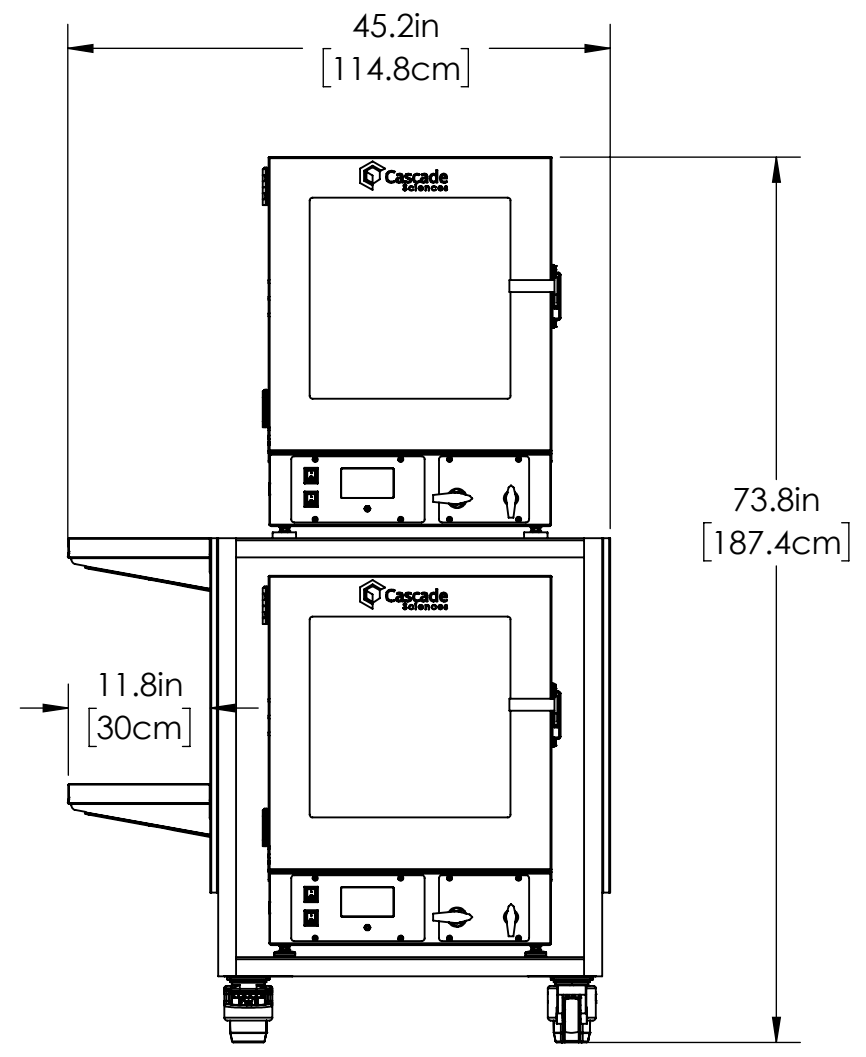
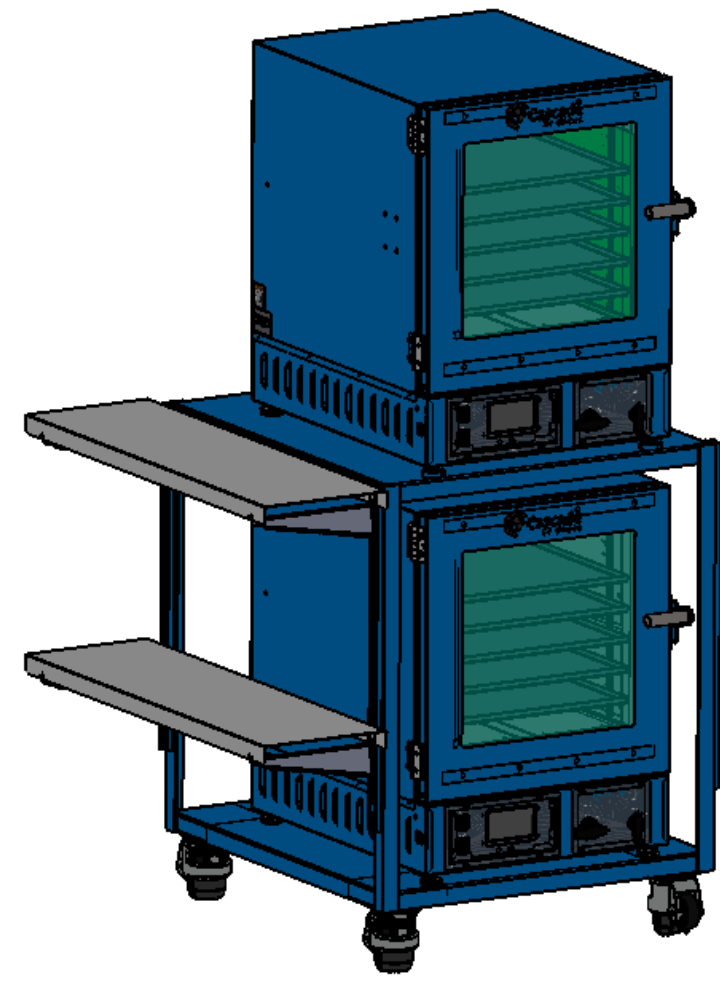
See sheet two for stand with ovens installed

<p>Cascade Sciences 5285 Northeast Elam Young Parkway Hillsboro, Oregon 97124 www.cascadesciences.com</p>	DRAWN	NAME RMH	DATE 3/9/2017	MODEL:
	<p>PROPRIETARY AND CONFIDENTIAL THE INFORMATION CONTAINED IN THIS DRAWING IS THE SOLE PROPERTY OF SHELDON MFG. ANY REPRODUCTION IN PART OR AS A WHOLE WITHOUT THE WRITTEN PERMISSION OF Sheldon MFG. IS PROHIBITED.</p>			<p>STAND CVO-5</p>
	SIZE B	DWG. NO. 9751274		
	SCALE: 1:16	WEIGHT:	SHEET 1 OF 2	

8 7 6 5 4 3 2 1

D
C
B
A

D
C
B
A



Shelves can be installed on right or left side and can be installed flush to front or back of stand.

Cascade Technical Sciences, Inc. 5245 Northeast Elam Young Parkway Hillsboro, Oregon 97124 www.cascadetek.com	DRAWN	NAME	DATE	MODEL:
		RMH	3/9/2017	STAND CVO-5
	PROPRIETARY AND CONFIDENTIAL THE INFORMATION CONTAINED IN THIS DRAWING IS THE SOLE PROPERTY OF SHELDON MFG. ANY REPRODUCTION IN PART OR AS A WHOLE WITHOUT THE WRITTEN PERMISSION OF Sheldon MFG. IS PROHIBITED.			
	SIZE	DWG. NO.	REV	
	B	9751274		
	SCALE: 1:16	WEIGHT:	SHEET 2 OF 2	

8 7 6 5 4 3 2 1