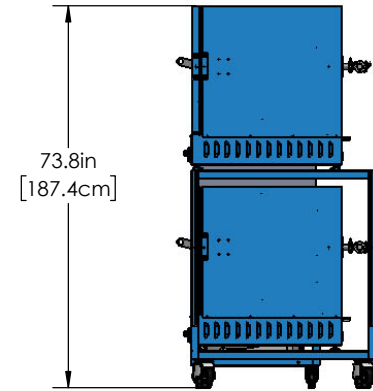
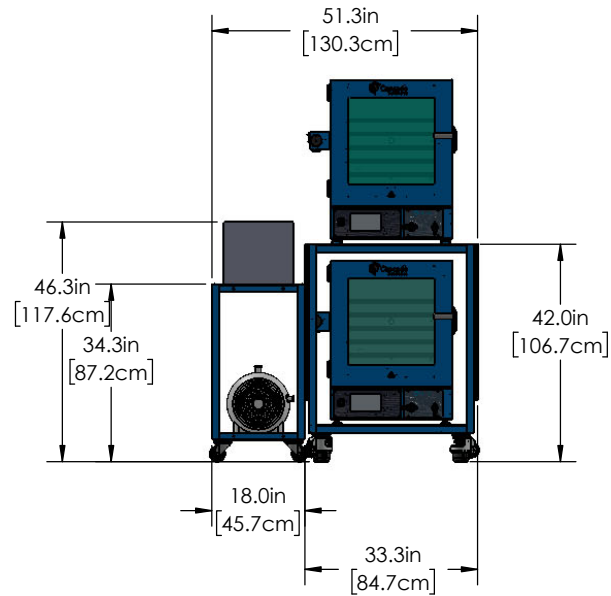
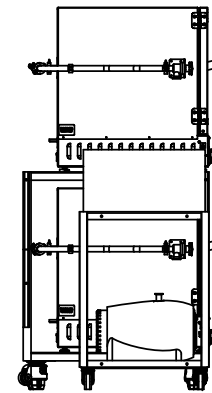
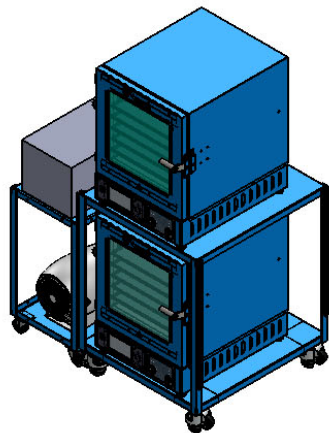


Top view



Right Side view



Left Side View



Cascade Sciences LLC.
6725 NE Evergreen Pkwy ste 106
Hillsboro, Oregon 97124
www.cascadesciences.com

	NAME	DATE	MODEL:	CVO-5 DOUBLE UP w/MAXTRAP 50	
DRAWN			SIZE	DWG. NO.	
<small>PROPRIETARY AND CONFIDENTIAL THE INFORMATION CONTAINED IN THIS DRAWING IS THE SOLE PROPERTY OF SHELDON MFG. ANY REPRODUCTION IN PART OR AS A WHOLE WITHOUT THE WRITTEN PERMISSION OF Sheldon MFG. IS PROHIBITED.</small>			B	CVO-5-MAXTRAP	
			SCALE: 1:24	WEIGHT:	SHEET 1 OF 1