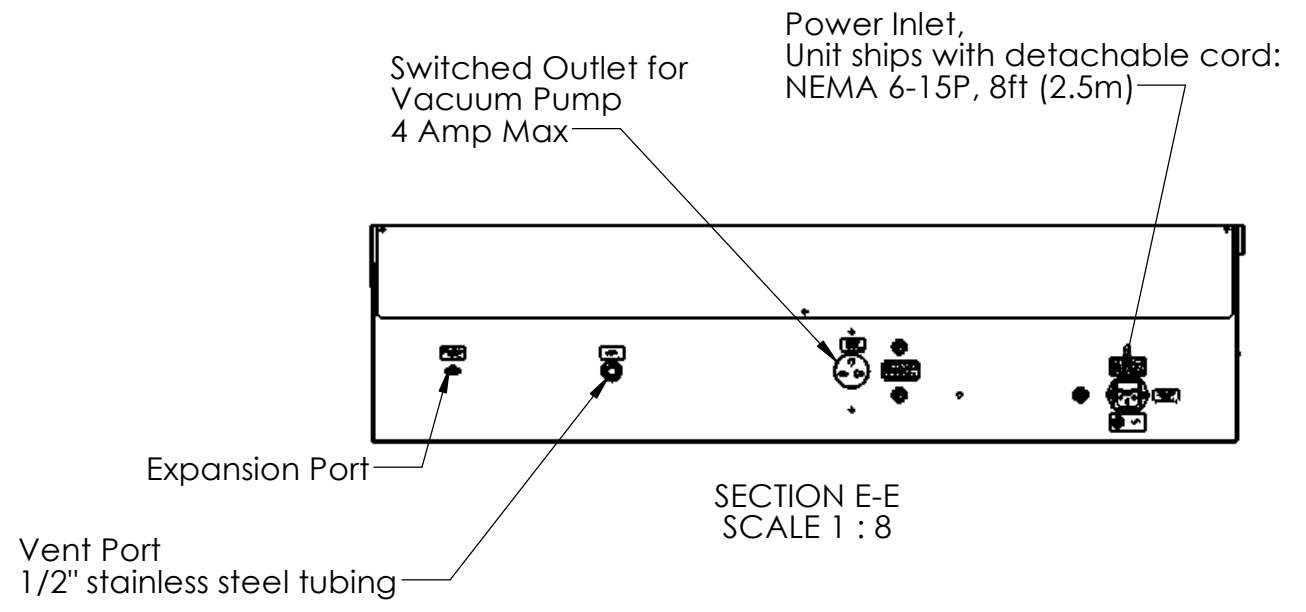
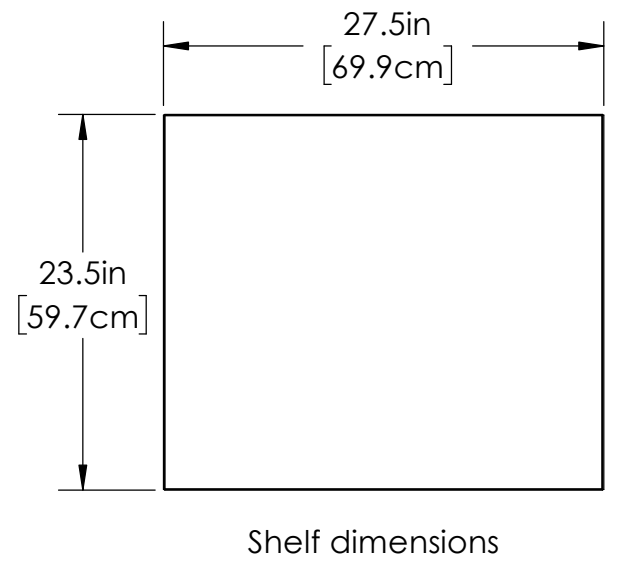
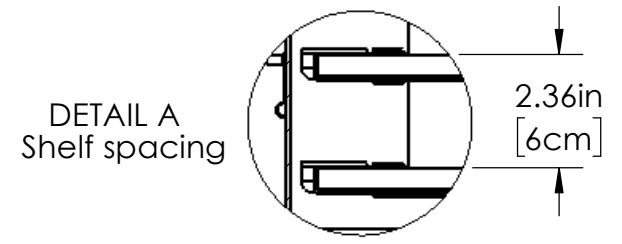
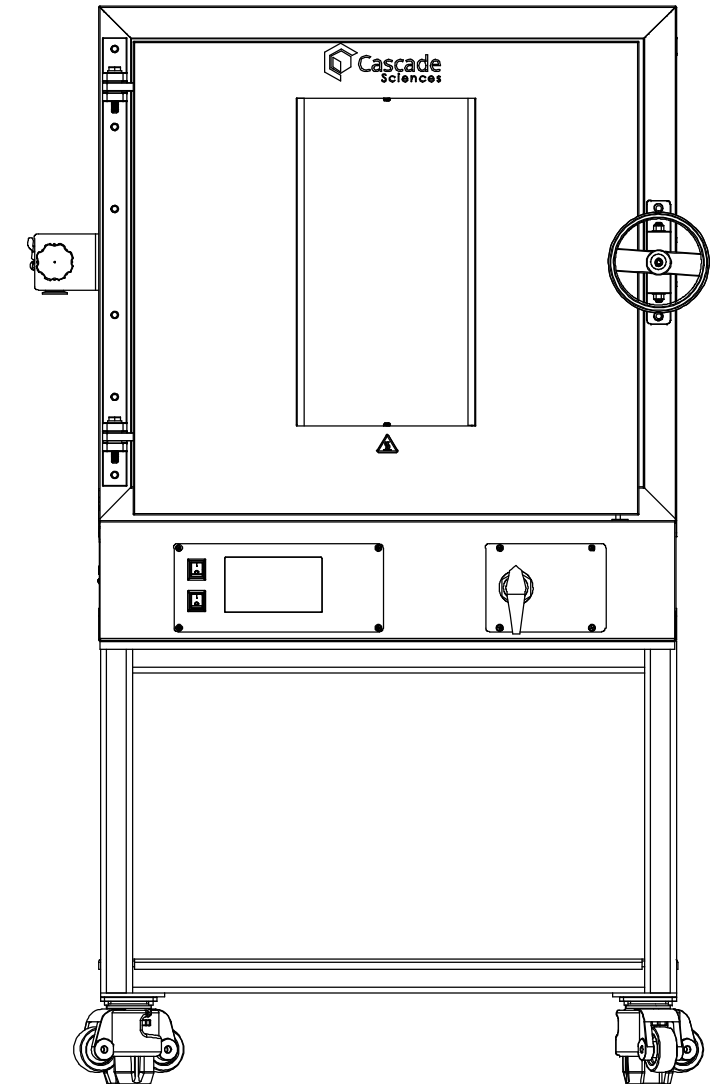
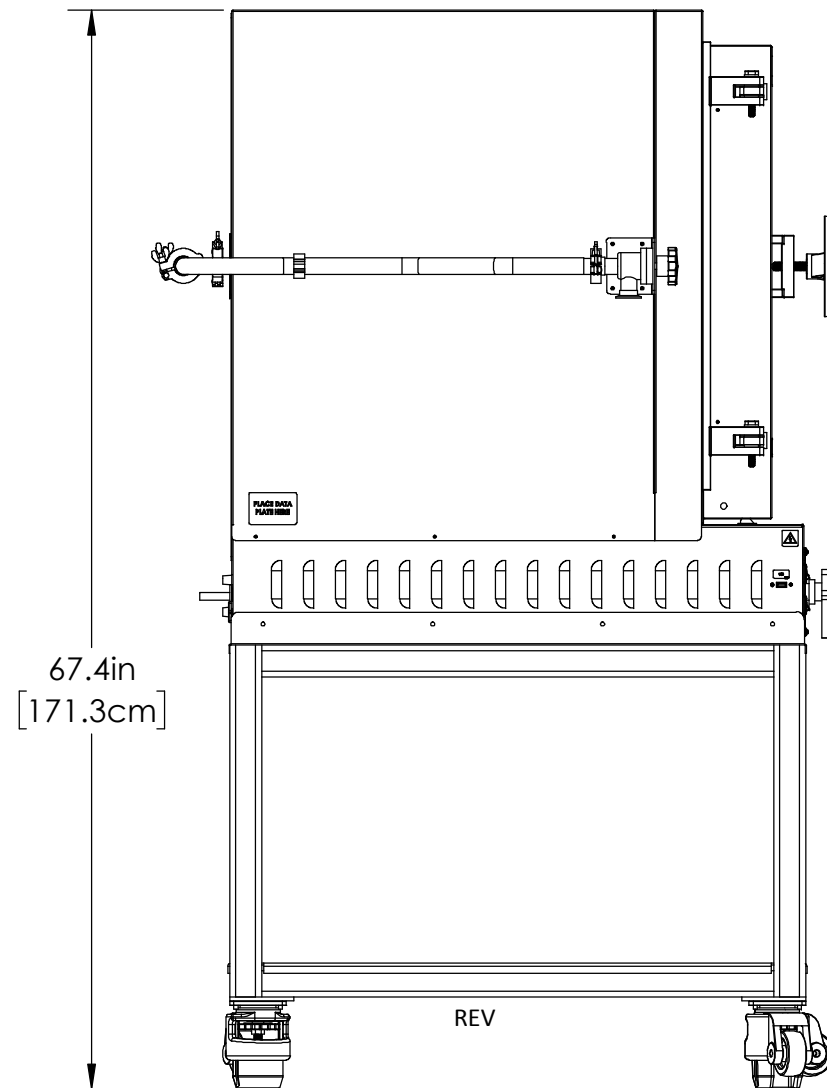
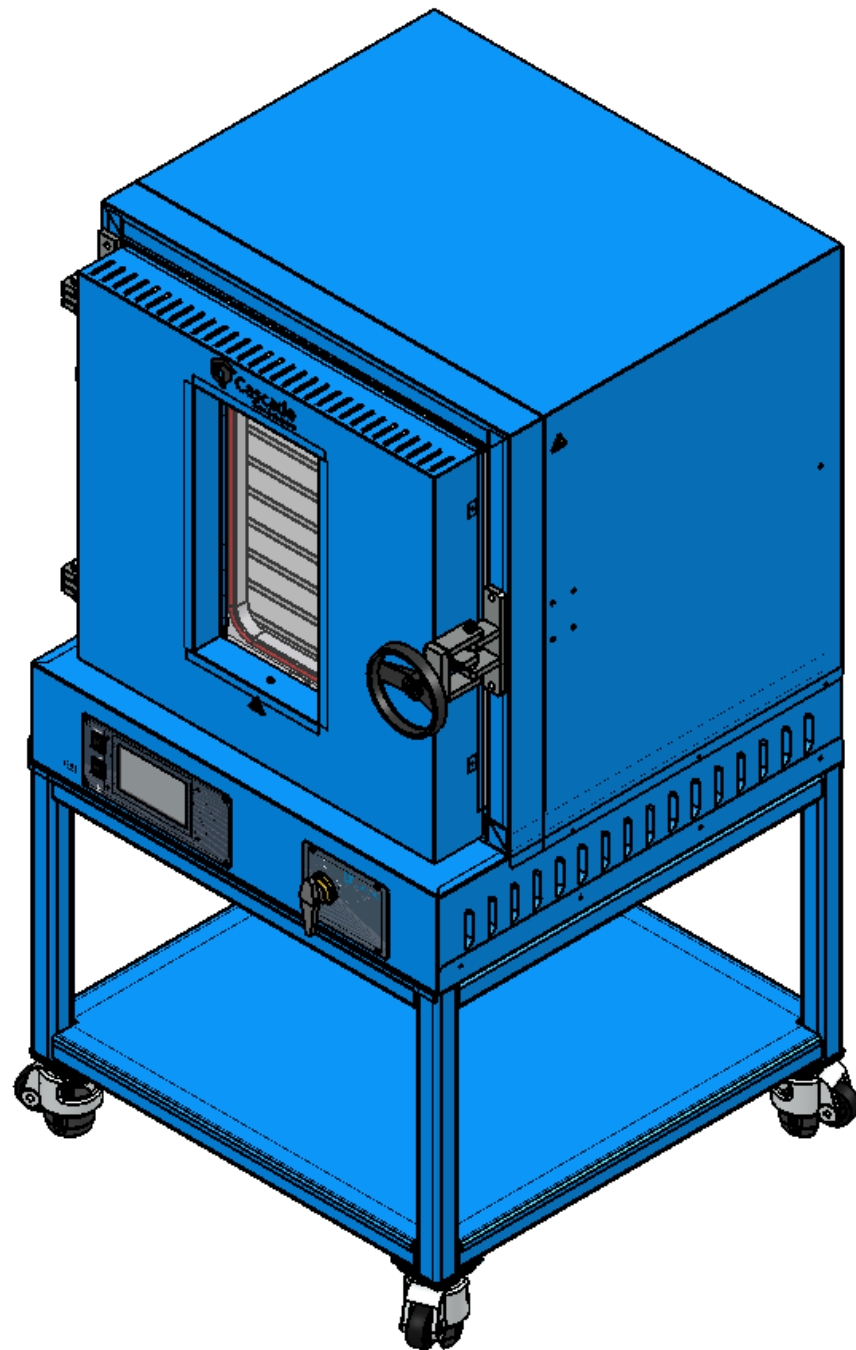



Internal material:  
300 series stainless steel



	NAME	DATE	MODEL:
	DRAWN	8/19/2019	<b>CVO-10</b>
Cascade Sciences 5285 Northeast Elam Young Parkway Hillsboro, Oregon 97124 www.cascadesciences.com	PROPRIETARY AND CONFIDENTIAL THE INFORMATION CONTAINED IN THIS DRAWING IS THE SOLE PROPERTY OF SHELDON MFG. ANY REPRODUCTION IN PART OR AS A WHOLE WITHOUT THE WRITTEN PERMISSION OF Sheldon MFG. IS PROHIBITED.		SIZE <b>B</b>
	DWG. NO. 9100995	REV	SCALE: 1:12
	WEIGHT:	SHEET 1 OF 2	DWG BY TCR

Shown On Stand



 Cascade Sciences 5285 Northeast Elam Young Parkway Hillsboro, Oregon 97124 www.cascadesciences.com	NAME	DATE	MODEL:
	DRAWN	8/19/2019	<b>CVO-10</b>
PROPRIETARY AND CONFIDENTIAL THE INFORMATION CONTAINED IN THIS DRAWING IS THE SOLE PROPERTY OF SHELDON MFG. ANY REPRODUCTION IN PART OR AS A WHOLE WITHOUT THE WRITTEN PERMISSION OF Sheldon MFG. IS PROHIBITED.	SIZE	DWG. NO.	
	<b>B</b>	9100995	
	SCALE: 1:12	WEIGHT:	SHEET 2 OF 2