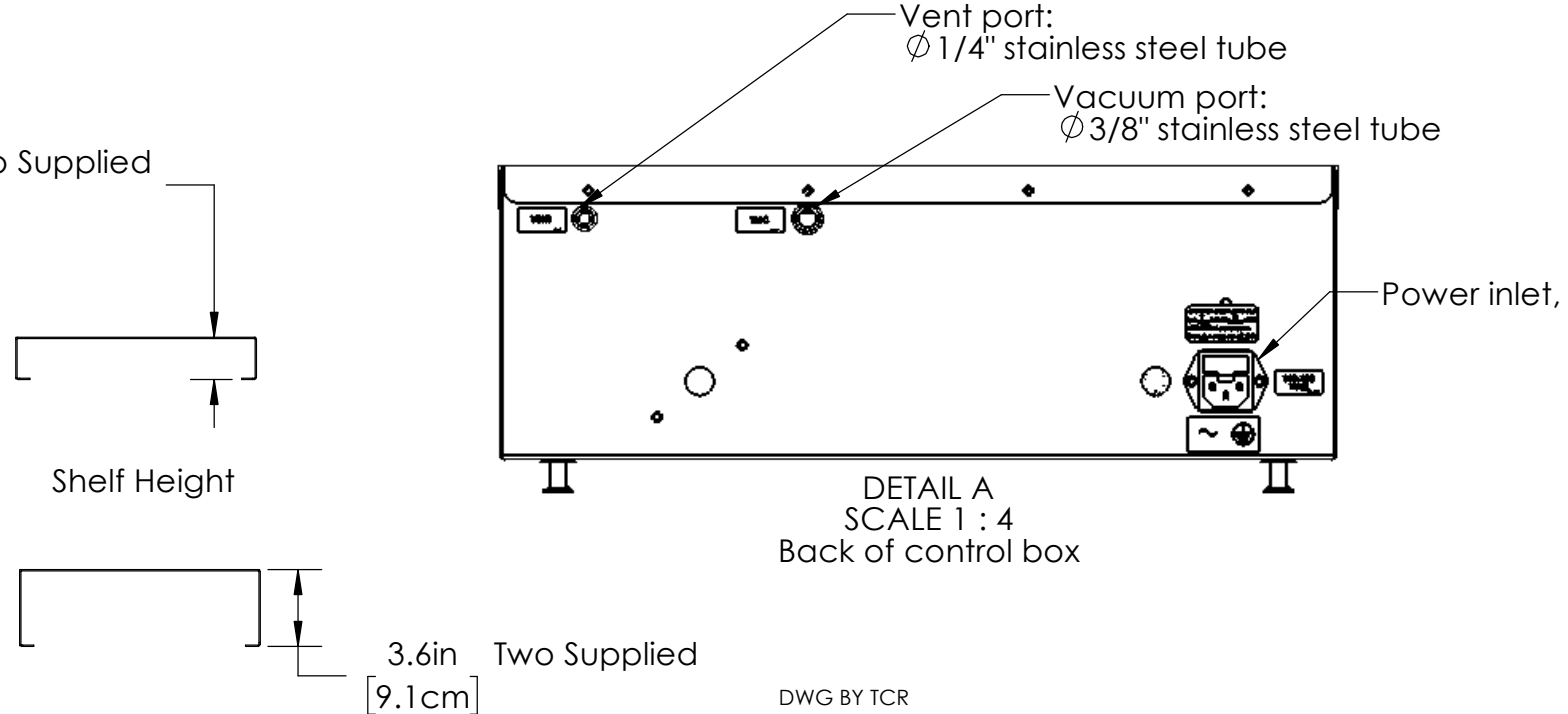
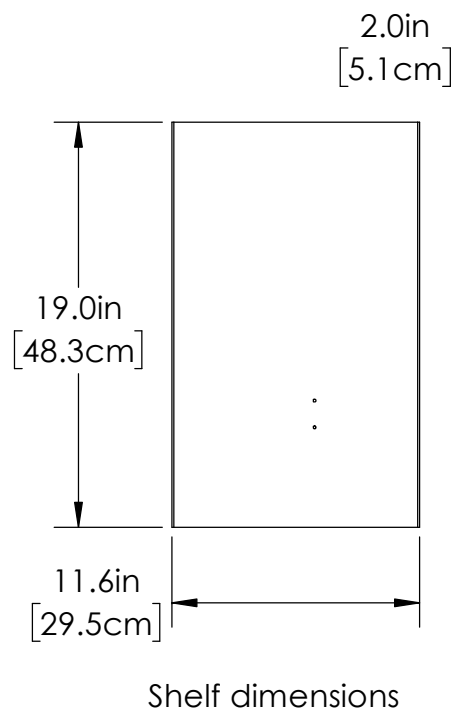
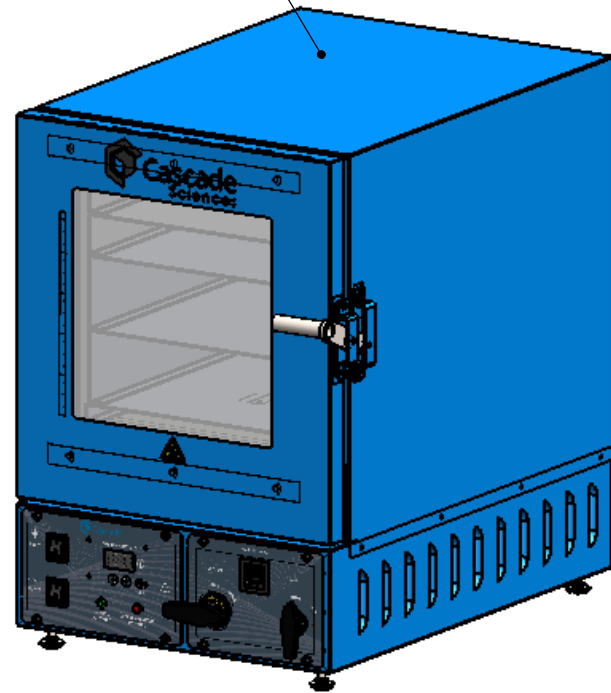


Internal material:  
300 series stainless steel

External material:  
Cold rolled mild steel  
Powder coated



<p>Cascade Sciences 5285 Northeast Elam Young Parkway Hillsboro, Oregon 97124 www.cascadesciences.com</p>	NAME	DATE	MODEL:
	DRAWN RMH	2/5/2019	<b>CVO-2</b>
<small>PROPRIETARY AND CONFIDENTIAL THE INFORMATION CONTAINED IN THIS DRAWING IS THE SOLE PROPERTY OF SHELDON MFG. ANY REPRODUCTION IN PART OR AS A WHOLE WITHOUT THE WRITTEN PERMISSION OF Sheldon MFG. IS PROHIBITED.</small>			SIZE <b>B</b> DWG. NO. 9101008 REV
SCALE: 1:9	WEIGHT:	SHEET 1 OF 1	